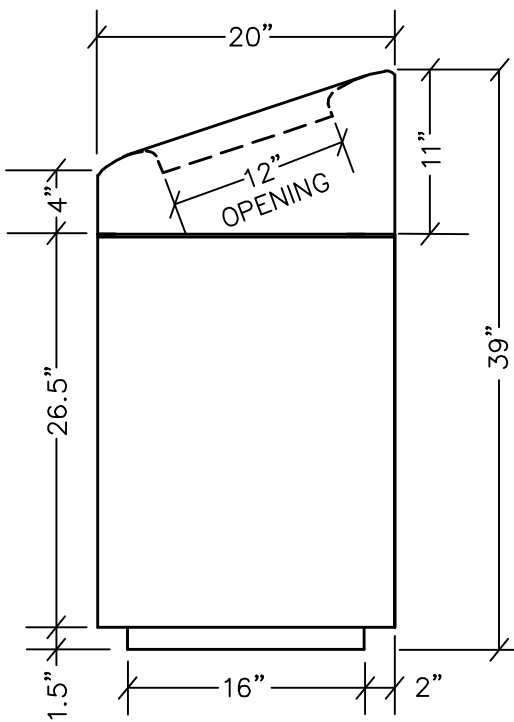
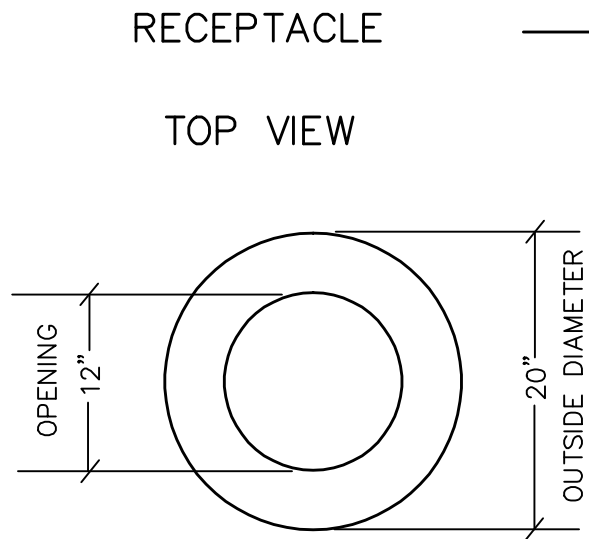


ASHTON RECEPTACLE  
MODEL NUMBER 7C-2039T  
ANGLE TOP



RECEPTACLE  
LINER

